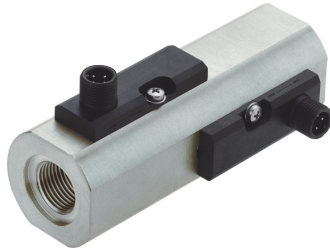


Product Information

FW4V-015GM

**Flow Switch
FW4V-015GM**

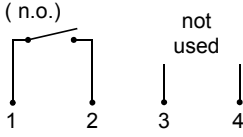


- Bidirectional flow switching
- Viscosity stabilised
- Compact design

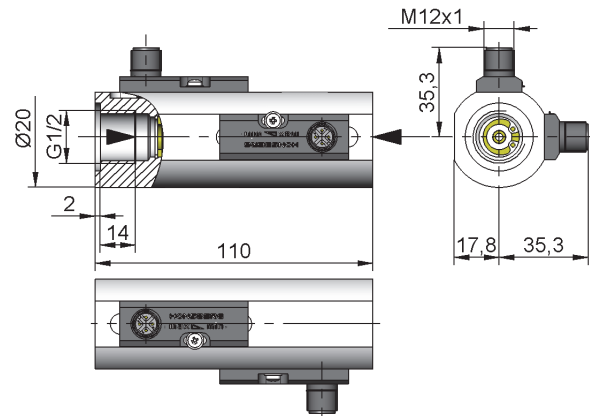
Characteristics

Mechanical flow switch, for viscous media, with spring-supported piston and magnetic triggering of a reed switch.

Technical data

| | |
|-------------------------------------|--|
| Sensor | reed switch |
| Nominal width | DN 15 |
| Process connection | female thread G 1/2 |
| Switching point | 1 l/min the switching point is suitable for horizontally decreasing flows. |
| Pressure loss | 8 bar at Q _{max} . |
| Q_{max} | 10 l/min |
| Tolerance | ±10 % |
| Viscosity stability | at 30..330 mm ² /s ±10 %, min ± 0.5 l/min |
| Pressure resistance | PS 300 bar |
| Media temperature | -20 °C..+90 °C |
| Ambient temperature | -20 °C..+70 °C |
| Media | oils |
| Wiring | normally opened (n.o.) No. 0.378  |
| Switching voltage | max. 230 V AC |
| Switching current | max. 0.5 A |
| Switching capacity | max. 50 VA |
| Protection class | 2 - safety insulation |
| Ingress protection | IP 67 |
| Electrical connection | for round plug connector M12x1, 4-pole |
| Materials medium-contact | CW614N nickelled, 1.4310, hard ferrite |
| Non-medium-contact materials | PC, 1.4305 |
| Weight | 0.95 kg |
| Installation location | Standard: horizontal inwards flow; other installation positions are possible; the installation position affects the switching point. |

Dimensions



Handling and operation

Note

- Include straight calming section of 5 x DN in inlet and outlet.
- If the media are dirty, install a filter (use magnetic filter for ferritic components).
- It must be ensured that the values given for voltage, current, and power are not exceeded.
- When switch on, a load must be connected in series.
- The electrical details apply to ohmic loads. Capacitive, inductive and lamp loads must be operated using a protective circuit.

Adjustment

The setting of the switching points to 1 l/min is carried out in the factory.

Ordering code

FW4V - 1. 015 2. G 3. M 4. 001

| | | |
|--|-----|---------------|
| 1. Nominal width | 015 | DN 15 - G 1/2 |
| 2. Process connection | G | female thread |
| 3. Connection material | M | brass |
| 4. Switching point H₂O for horizontal inwards flow | 001 | 1 l/min |

Options

- Special values
- Cable outlet 3 m

Ordering information

- For viscous media specify viscosity, temperature, and medium (e.g. ISO VG 68) (enquire about switching range).